



MULTIFUNCTION
POWER METER
Teco-E20

HARMONICS

MODBUS
INTERFACE

ENERGY
ACCURACY 0.5S

PULSE OUTPUT

Teco-E20

MULTIFUNCTION POWER METER

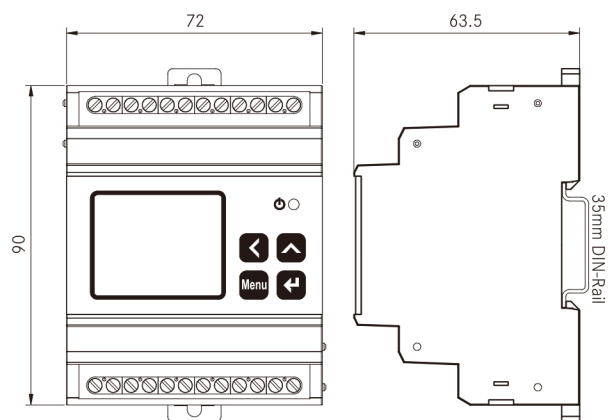
GENERAL

Teco-E20 is used for electrical parameters measurement and energy metering. It also has RS485 communication interface adopting Modbus-RTU protocol. Teco-E20 can be easily integrated with a variety of power distribution systems and energy management systems, to share abundant monitoring data.



FUNCTION

		Teco-E20
Real-time measurement	Voltage, current, Average voltage, Average current	■
	Total and phase active power, reactive power and apparent power	■
Energy metering	Phase and total power factor	■
	Frequency, demand, Max./Min. value	■
	Bi-directional energy	■
Power quality	Fundamental energy	■
	Four-quadrant reactive energy	■
	Tariff energy	■
	Voltage/current THD	■
Data recording	Sub-harmonic content	2-51st
	Voltage/current sequence component, phase angle	■
	Voltage/current imbalance	■
	Meter/Load operating time	■
Input and output	Demand/Max./Min. record	■
	Off-limit record	■
	Energy pulse Output	2
	RS485communication interface	1



DIMENSION

TECHNICAL SPECIFICATION

Display Mode		LCD
Accuracy	V/A	0.2%
	P/Q/S/PF	0.5%
	F	±0.01Hz
	±kWh	Class 0.5S
	±kvarh	Class 2
Voltage Input	Rated value	AC 100V, AC 230V, AC 380V
	Overload	Continuous: 1.2Vn Instantaneous: 2Vn/10s
	Burden	≤0.1VA (per phase)
	Impedance	≥1.7MΩ
	Frequency	45Hz~65Hz
	Current Input	Rated value
Overload		Continuous: 1.2In Instantaneous: 2In/5s
Burden		≤0.2VA (per phase)
Impedance		≤20mΩ
Auxiliary Power Supply	Working range	AC 80~270V 50/60Hz, DC 100~350V
	Consumption	≤5VA
Communication Port		RS485, Modbus-RTU, 2-wire, up to 9600bps
Energy Pulse Output		1 photocoupler output, pulse width (80±20%) ms
Environment Conditions	Operating temperature	-25 C ~ 70 C
	Storage temperature	-30 C ~ 80 C
	Relative humidity	≤93%
	Altitude	≤2500m
Insulation		≥ 2kVAC